

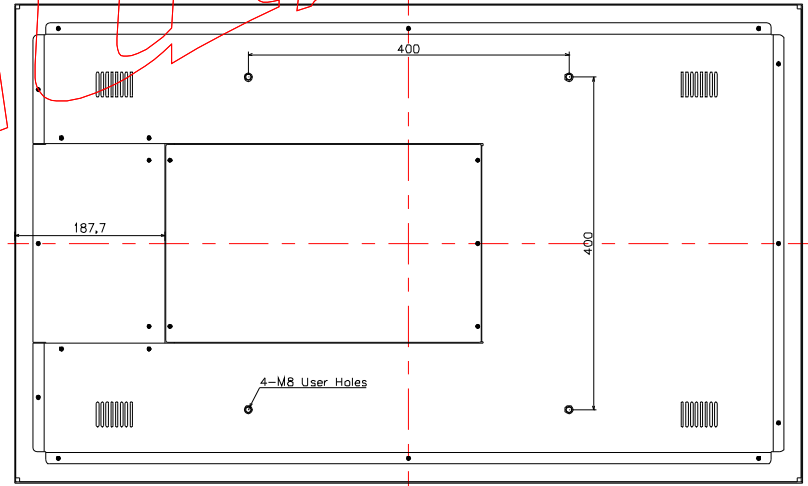
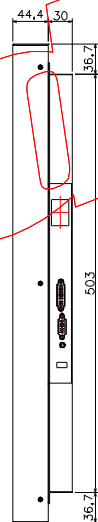
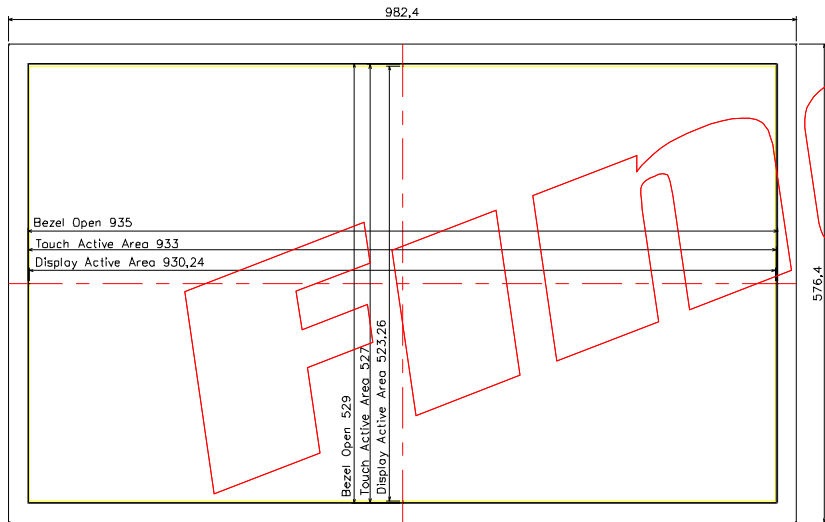
4

3

2

1

NO.	COUNT	REVISIONS	DATE (YYMMDD)	APPROVED
△	x		' / /	
△	x		' / /	
.	x		' / /	



REVISED

\* This dimension is subject to change without notice.

UNLESS OTHERWISE SPECIFIED, DIMENSIONS ARE IN MILLIMETERS AND TOLERANCES ARE AS FOLLOWS:		SIZE	SCALE	QUANTITY	MATERIAL	REMARK
0 - 6	±0.08		S.Hong	DATE (YYMMDD)	MODEL	SHEET 1 of 4
6 - 15	±0.1			15.04.16		
15 - 60	±0.15			DATE (YYMMDD)		
60 - 200	±0.2			DATE (YYMMDD)		
200 - ∞	±0.3	ANGULAR TOLERANCE: ±0.5°		DATE (YYMMDD)	PART NO.	REV. A
		CHECKED	APPROVED	DATE (YYMMDD)		

F4200T-D-S01

4

3

2

1

A

A

4

3

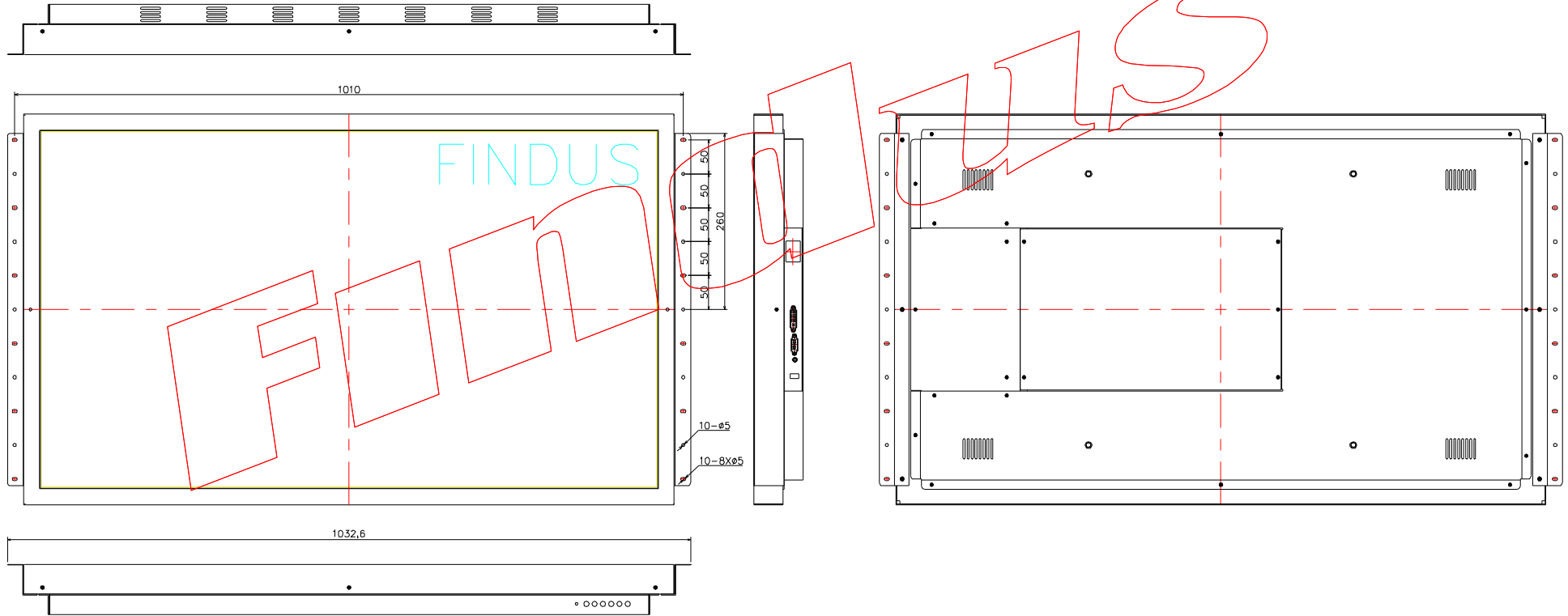
2

1

NO.	COUNT	REVISIONS	DATE (YYMMDD)	APPROVED
△	x		' / /	
△	x		' / /	
.	x		' / /	

D

D



A

A

UNLESS OTHERWISE SPECIFIED, DIMENSIONS ARE IN MILLIMETERS AND TOLERANCES ARE AS FOLLOWS:		SIZE	SCALE	QUANTITY	MATERIAL	REMARK
0 - 6	±0,06	 ANGULAR TOLERANCE: ±0,5°	S.Hong	DATE (YYMMDD)	MODEL	SHEET 2 of 4
6 - 15	±0,1			15.04.16		
15 - 60	±0,15					
60 - 200	±0,2					
200 - ∞	±0,3					
 When you need your own displays.		CHECKED		DATE (YYMMDD)	PART NO.	REV. A
		APPROVED		DATE (YYMMDD)		
		F4200T-D-S01				

4

3

2

1

4

3

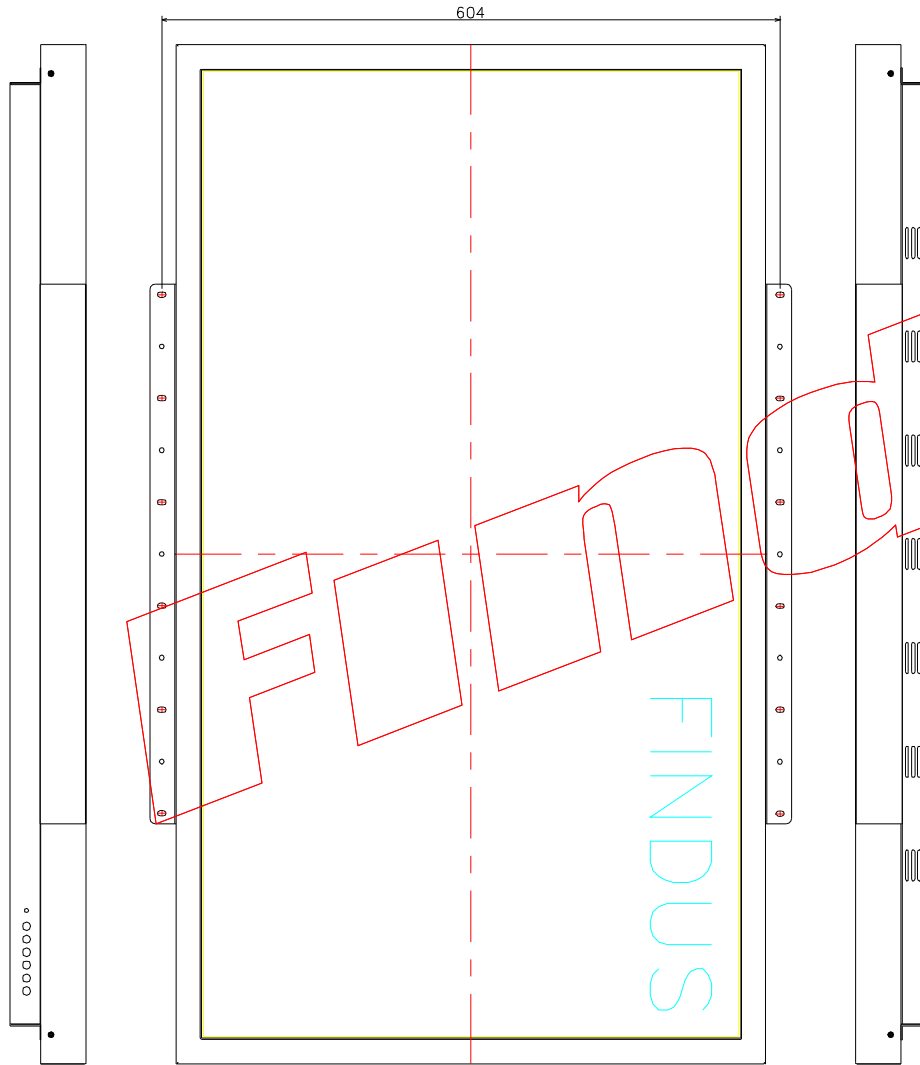
2

1

NO.	COUNT	REVISIONS	DATE (YYMMDD)	APPROVED
△	x		' / /	
△	x		' / /	
.	x		' / /	

D

D

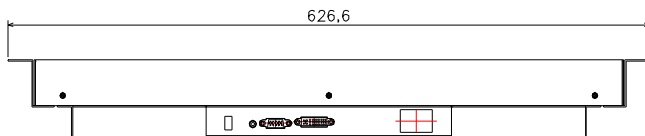


C

B

A

A



4

3

2

1

UNLESS OTHERWISE SPECIFIED, DIMENSIONS ARE IN MILLIMETERS AND TOLERANCES ARE AS FOLLOWS:		SIZE	SCALE	QUANTITY	MATERIAL	REMARK
0 - 6	±0.08		S.Hong	DATE (YYMMDD)		SHEET
6 - 15	±0.1			15.04.16		3 of 4
15 - 60	±0.15			DATE (YYMMDD)	MODEL	F420OT-D-S01
60 - 200	±0.2			DATE (YYMMDD)	PART NO.	REV.
200 - ∞	±0.3	ANGULAR TOLERANCE: ±0.5°				A
		CHECKED				
		APPROVED				