

4

3

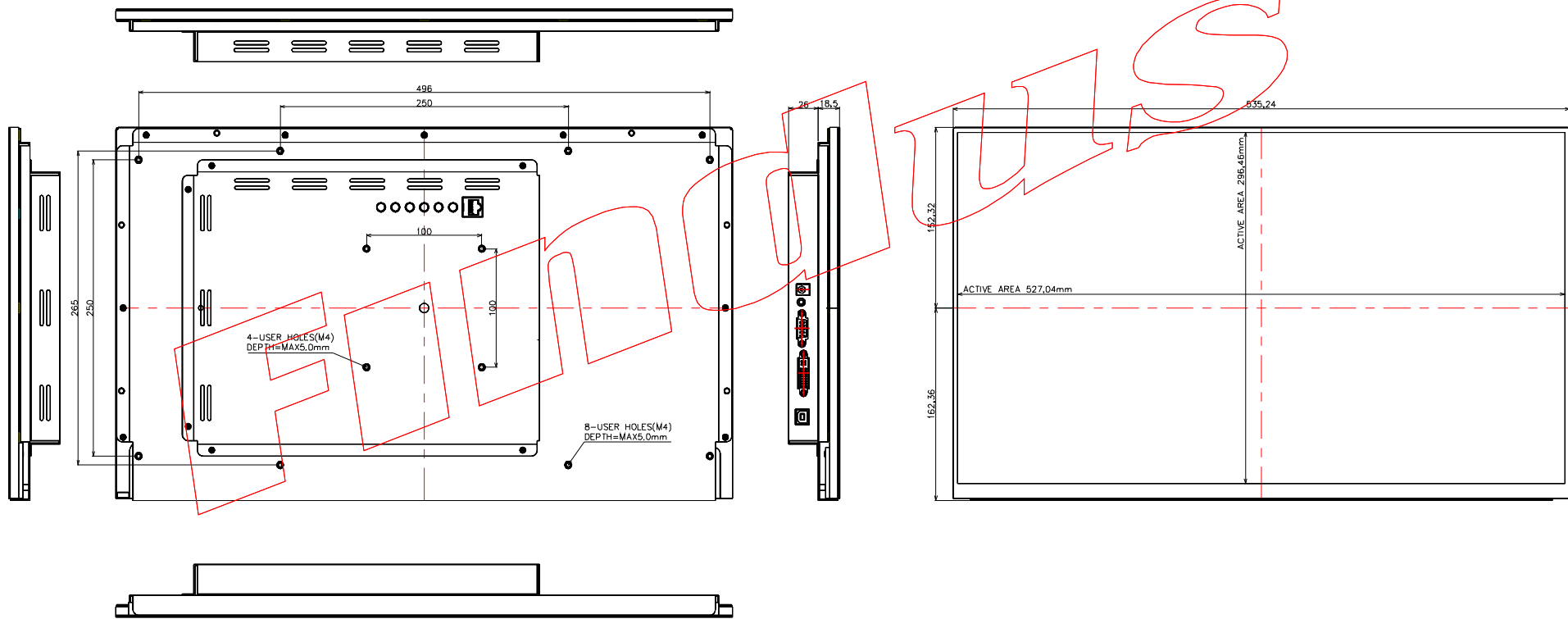
2

1

NO.	COUNT	REVISIONS	DATE (YYMMDD)	APPROVED
△	x		' / /	
△	x		' / /	
.	x		' / /	

D

D



C

B

A

A

4

3

2

1

UNLESS OTHERWISE SPECIFIED, DIMENSIONS ARE IN MILLIMETERS AND TOLERANCES ARE AS FOLLOWS:		SIZE	SCALE	QUANTITY	MATERIAL	REMARK
0 - 5	±0.08	DRAWN		DATE (YYMMDD)	SHEET 1 OF 1	
6 - 15	±0.1	DESIGNED		DATE (YYMMDD)	MODEL F238OT-D-LL1	
15 - 60	±0.15	CHECKED		DATE (YYMMDD)	PART NO. 2381B03N	
60 - 200	±0.2	APPROVED		DATE (YYMMDD)	REV. A	
200 - ∞	±0.3	ANGULAR TOLERANCE: ±0.5°				



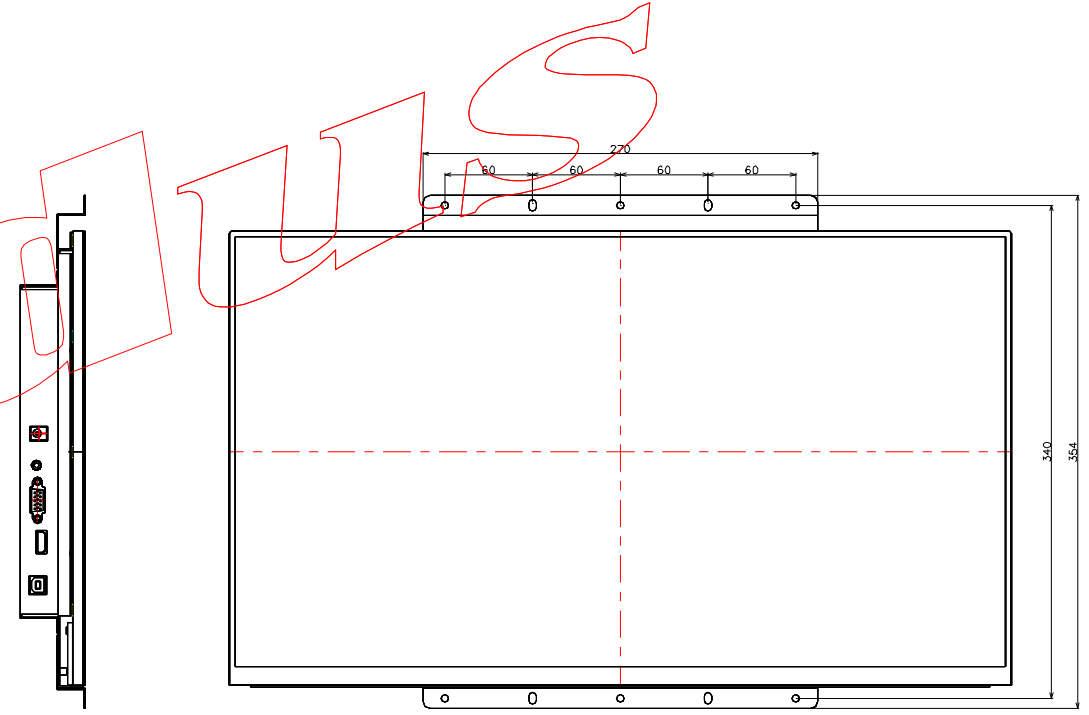
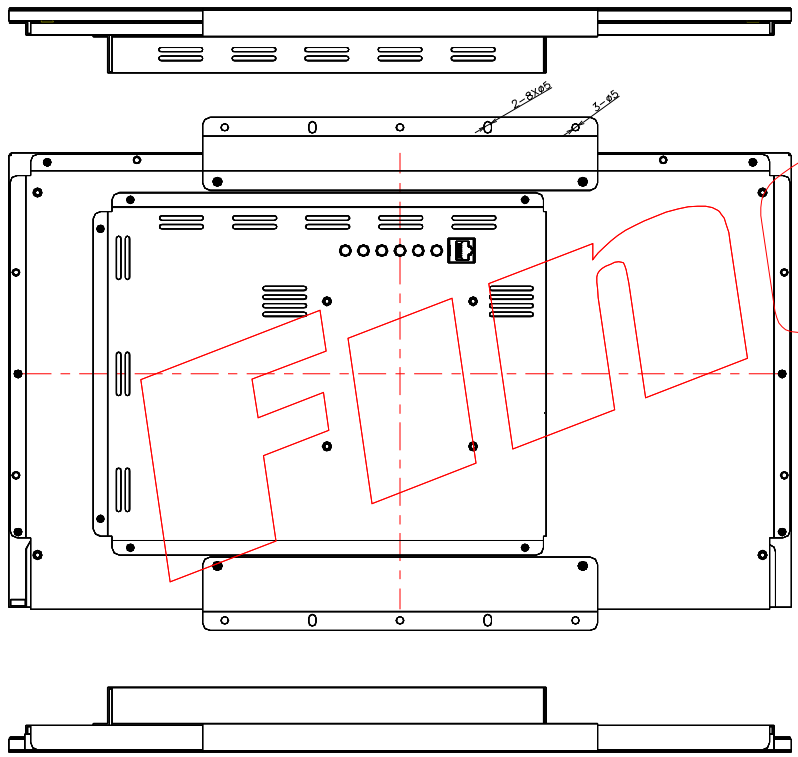
4

3

2

1

NO.	COUNT	REVISIONS	DATE (YYMMDD)	APPROVED
△	x		' / /	
△	x		' / /	
.	x		' / /	



D

D

C

B

A

A

4

3

2

1

UNLESS OTHERWISE SPECIFIED, DIMENSIONS ARE IN MILLIMETERS AND TOLERANCES ARE AS FOLLOWS:		SIZE	SCALE	QUANTITY	MATERIAL	REMARK
0 - 5	±0.05			DATE (YYMMDD)		SHEET
6 - 15	±0.1			DATE (YYMMDD)		1 OF 2
15 - 60	±0.15			DATE (YYMMDD)		MODEL
60 - 200	±0.2			DATE (YYMMDD)		F238OT-H-LL1
200 - ∞	±0.3			DATE (YYMMDD)		PART NO.
ANGULAR TOLERANCE: ±0.5°		APPROVED		DATE (YYMMDD)		2381B06N
		DRAWN		DATE (YYMMDD)		REV.
		DESIGNED <i>Zhuan</i>		DATE (YYMMDD)		A
CHECKED		APPROVED		DATE (YYMMDD)		

4

3

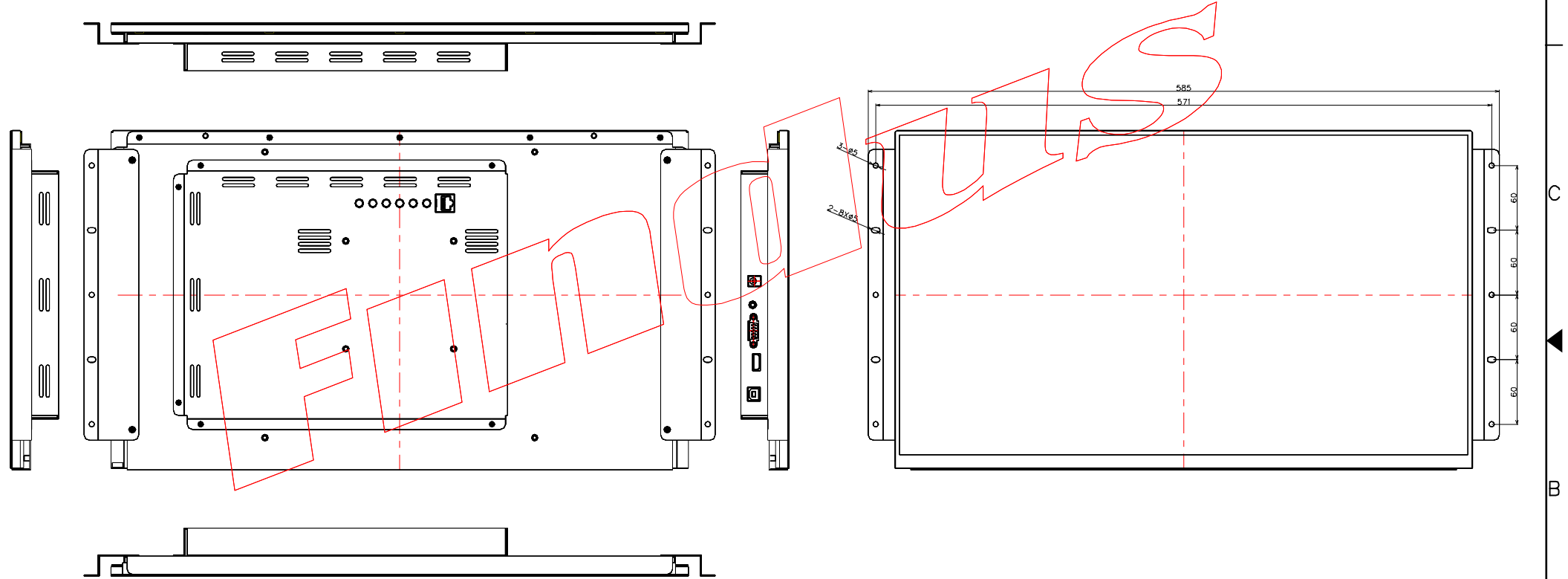
2

1

NO.	COUNT	REVISIONS	DATE (YYMMDD)	APPROVED
△	x		' / /	
△	x		' / /	
.	x		' / /	

D

D



A

A

UNLESS OTHERWISE SPECIFIED, DIMENSIONS ARE IN MILLIMETERS AND TOLERANCES ARE AS FOLLOWS:		SIZE	SCALE	QUANTITY	MATERIAL	REMARK
0 - 9	±0.05			DRAWN DESIGNED CHECKED APPROVED		DATE (YYMMDD)
6 - 15	±0.1					DATE (YYMMDD)
15 - 60	±0.15					DATE (YYMMDD)
60 - 200	±0.2					DATE (YYMMDD)
200 - ∞	±0.3	ANGULAR TOLERANCE: ±0.5°		SHEET 2 OF 2		MODEL F238OT-H-LL1
		PART NO.		REV.		
		2381B06N		A		

4

3

2

1