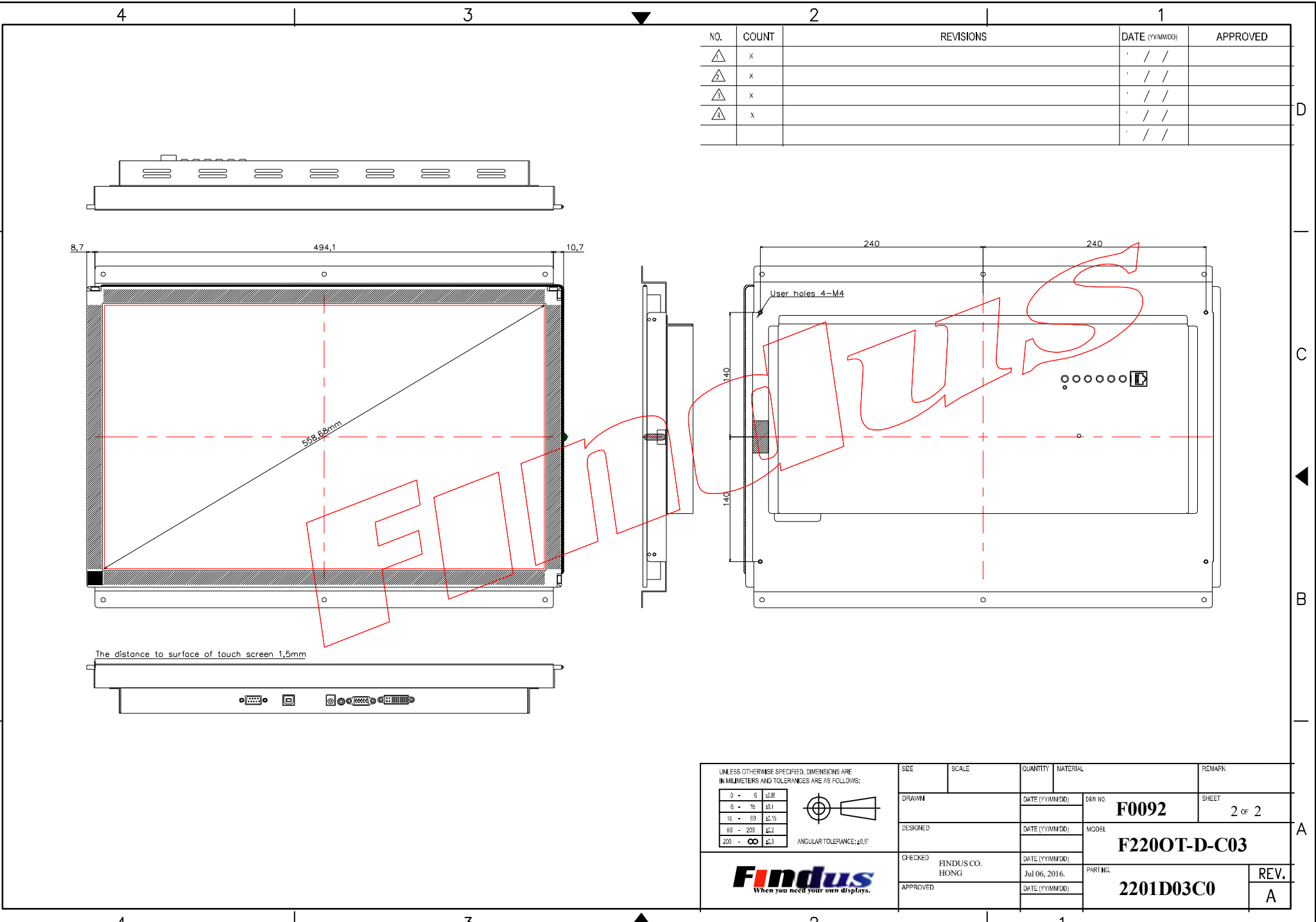


NO.	COUNT	REVISIONS	DATE (YYMMDD)	APPROVED
△	x		/ /	
△	x		/ /	
△	x		/ /	
△	x		/ /	

UNLESS OTHERWISE SPECIFIED, DIMENSIONS ARE IN MILLIMETERS AND TOLERANCES ARE AS FOLLOWS:		SIZE	SCALE	QUANTITY	MATERIAL	REMARK
0 - 6	±0.08	 ANGULAR TOLERANCE: ±0.5°	DRAWN	DATE (YYMMDD)	DRW NO.	SHEET
8 - 16	±0.1		DESIGNED	DATE (YYMMDD)	MODEL	1 of 2
18 - 20	±0.15		CHECKED	DATE (YYMMDD)	PART NO.	F2200T-D-C03 2201D03C0
200 - ∞	±0.3		APPROVED	DATE (YYMMDD)	REV.	
 When you need your own displays.		FINDUS CO. HONG	Jul 06, 2016.		A	



NO.	COUNT	REVISIONS	DATE (YYMMDD)	APPROVED
△	x		' / /	
△	x		' / /	
△	x		' / /	
△	x		' / /	

UNLESS OTHERWISE SPECIFIED, DIMENSIONS ARE IN MILLIMETERS AND TOLERANCES ARE AS FOLLOWS:		SIZE	SCALE	QUANTITY	MATERIAL	REMARK
0 - 6	±0.05	 ANGULAR TOLERANCE: ±0.5°	DATE (YYMMDD)	DATE (YYMMDD)	DRW NO.	SHEET
6 - 16	±0.1		DATE (YYMMDD)	DATE (YYMMDD)	F0092	2 of 2
16 - 60	±0.15		DATE (YYMMDD)	DATE (YYMMDD)	F2200T-D-C03	
60 - 200	±0.2		DATE (YYMMDD)	DATE (YYMMDD)	2201D03C0	REV.
200 - ∞	±0.3					A
		CHECKED	FINDUS CO. HONG	DATE (YYMMDD)	PART NO.	
		APPROVED		Jul 06, 2016.		