

4

3

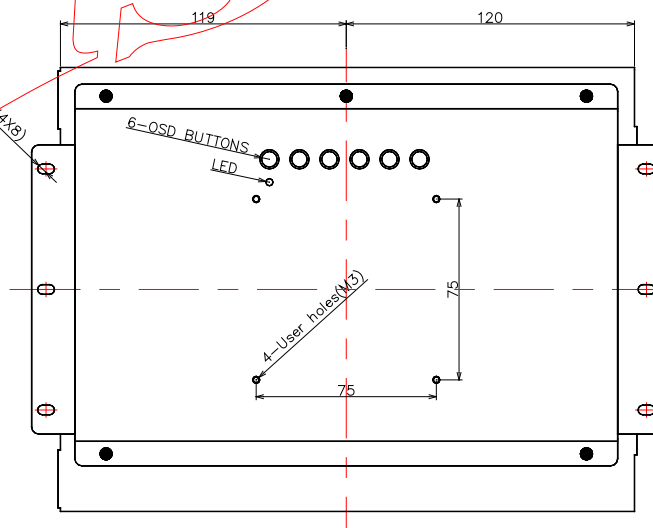
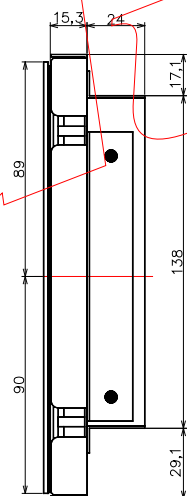
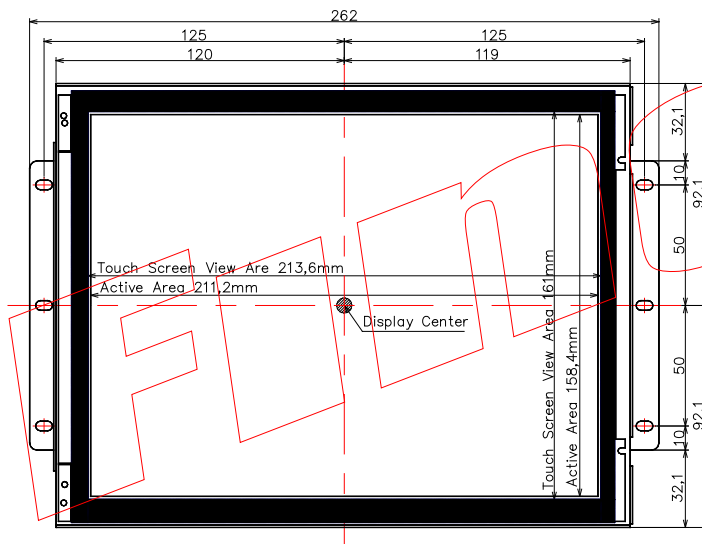
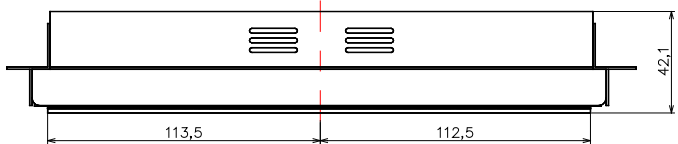
2

1

NO.	COUNT	REVISIONS	DATE (YYMMDD)	APPROVED
△	x		/ /	
△	x		/ /	
.	x		/ /	

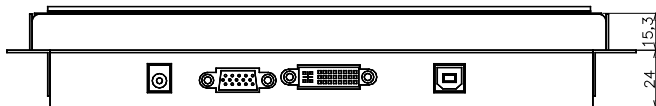
D

D



C

B



A

A

UNLESS OTHERWISE SPECIFIED, DIMENSIONS ARE IN MILLIMETERS AND TOLERANCES ARE AS FOLLOWS:		SIZE	SCALE	QUANTITY	MATERIAL	REMARK			
0 - 6	±0,08	 ANGULAR TOLERANCE: ±0,5°	DRAWN	DATE (YYMMDD)	MODEL	SHEET			
6 - 15	±0,1			 2020.09.10		F104OT-D-S12	1 OF 1		
15 - 60	±0,15						DATE (YYMMDD)	PART NO.	
60 - 200	±0,2						DATE (YYMMDD)		1041C07J0
200 - ∞	±0,3						DATE (YYMMDD)		
 When you need your own displays.		APPROVED	DATE (YYMMDD)	1041C07J0	A				

4

3

2

1