

4

3

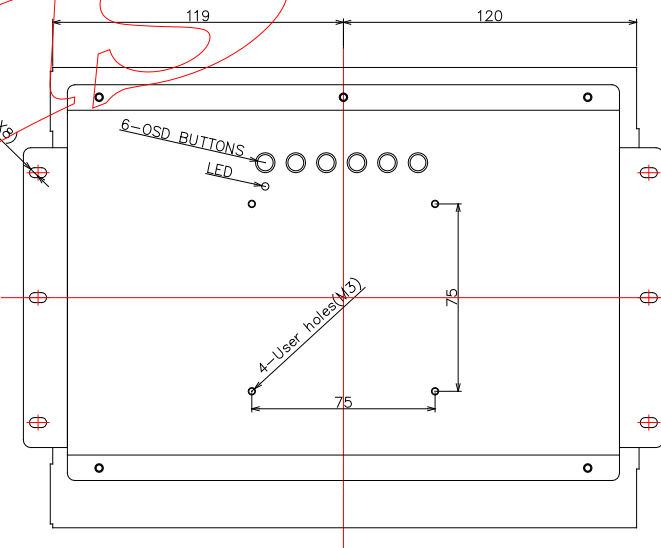
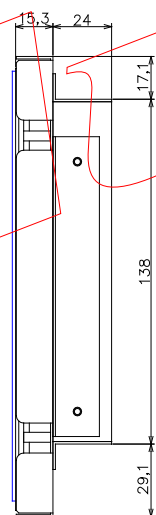
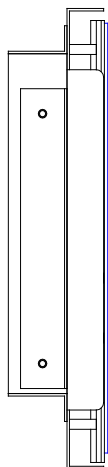
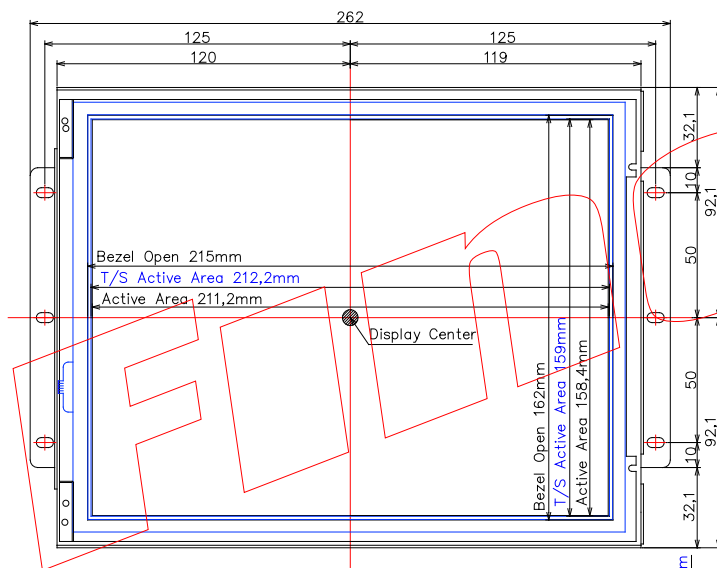
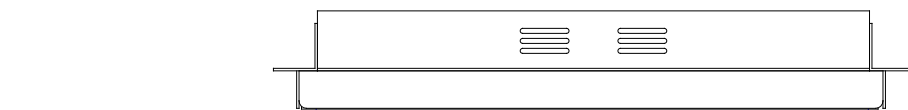
2

1

NO.	COUNT	REVISIONS	DATE (YYMMDD)	APPROVED
△	x		' / /	
△	x		' / /	
.	x		' / /	

D

D



C

B

A

A

4

3

2

1

UNLESS OTHERWISE SPECIFIED, DIMENSIONS ARE IN MILLIMETERS AND TOLERANCES ARE AS FOLLOWS:		SIZE	SCALE	QUANTITY	MATERIAL	REMARK
0 - 6	±0.08	 ANGULAR TOLERANCE: ±0.5°	S.Hong	DATE (YYMMDD)	MODEL	SHEET
6 - 15	±0.1			17.01.02		1 of 1
15 - 60	±0.15			DATE (YYMMDD)		F104OT-D-S11
60 - 200	±0.2			DATE (YYMMDD)		
200 - ∞	±0.3			DATE (YYMMDD)		
 When you need your own displays.		CHECKED	DATE (YYMMDD)	PART NO.	REV.	
		APPROVED	DATE (YYMMDD)		A	